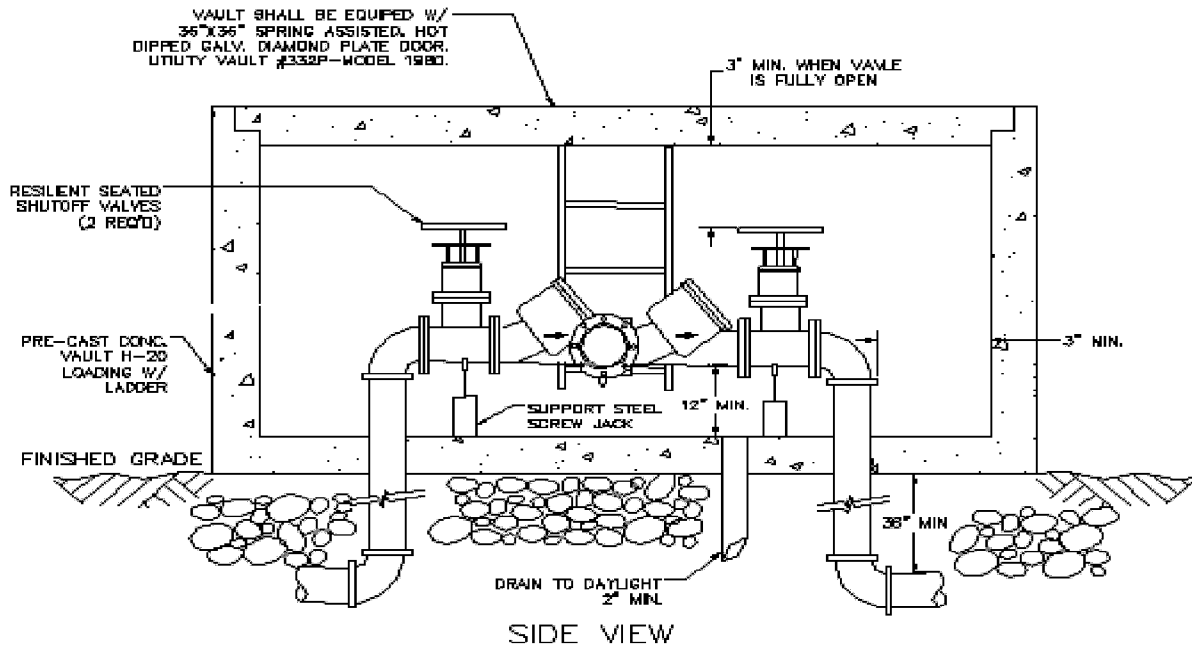


TOP VIEW



SIDE VIEW

NOTE: All items shall comply with the following

- Reduced Pressure Backflow Assembly shall be approved by the Washington State Department of Health.
- Approved reduced pressure backflow assembly to lay horizontal only.
- Designed for back siphonage and back pressure.
- The water line shall be disinfected, flushed, and pressure tested prior to installing the backflow assembly.
- The backflow assembly shall be protected from freezing and flooding.
- The backflow assembly shall be installed a minimum of 12" above ground level.
- All pipe, valves, and fitting joints, from supply main, shall be flanged and restrained.
- Fire department connection shall not exist through the top of vault.
- Grout pipe entrance and exit, in vault, with watertight grout.
- All vaults shall be pre-approved prior to installation.
- Vaults shall have a minimum of 3' clearance from all structures.
- The backflow assembly shall be tested after installation, prior to acceptance and also yearly thereafter by a certified backflow assembly tester.
- Test results shall be sent to the City of Tumwater water department.