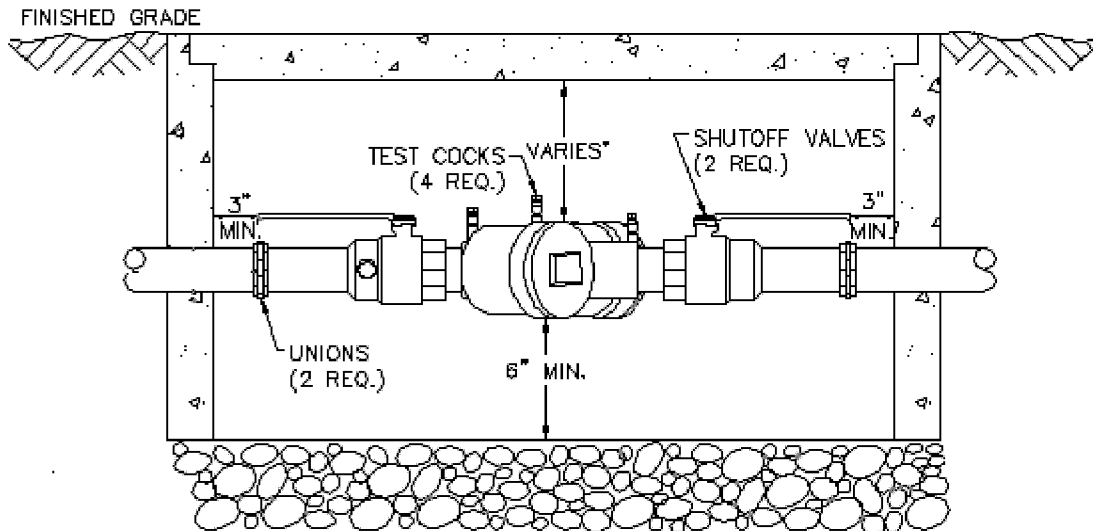


TOP VIEW



SIDE VIEW

**NOTE: ALL ITEMS SHALL COMPLY WITH THE FOLLOWING**

- DOUBLE CHECK VALVE ASSEMBLY SHALL BE A WASHINGTON STATE DEPT. OF HEALTH APPROVED MODEL.
- DOUBLE CHECK VALVE ASSEMBLY IS TO LAY HORIZONTAL WITH GROUND.
- THE WATER LINE SHALL BE THOROUGHLY FLUSHED PRIOR TO INSTALLING THE BACKFLOW ASSEMBLY.
- A PLUMBING PERMIT IS REQUIRED. IF SERVICE ADDRESS IS OUTSIDE CITY OF TUMWATER LIMITS CONTACT THURSTON COUNTY.
- DO NOT INSTALL DOUBLE CHECK VALVE ASSEMBLY IN AN AREA SUBJECT TO FLOODING.
- THE BACKFLOW ASSEMBLY SHALL BE TESTED AFTER INSTALLATION, PRIOR TO ACCEPTANCE AND ALSO YEARLY THEREAFTER BY A CERTIFIED BACKFLOW ASSEMBLY TESTER.
- TEST RESULTS SHALL BE SENT TO THE CITY OF TUMWATER CROSS CONNECTION SPECIALIST.